



CITROËN JUMPER

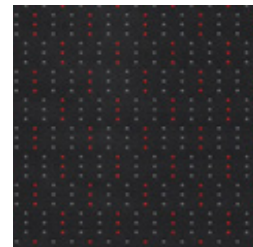
Crew Cab - Pricelist

BASE VEHICLE & POSSIBILITIES

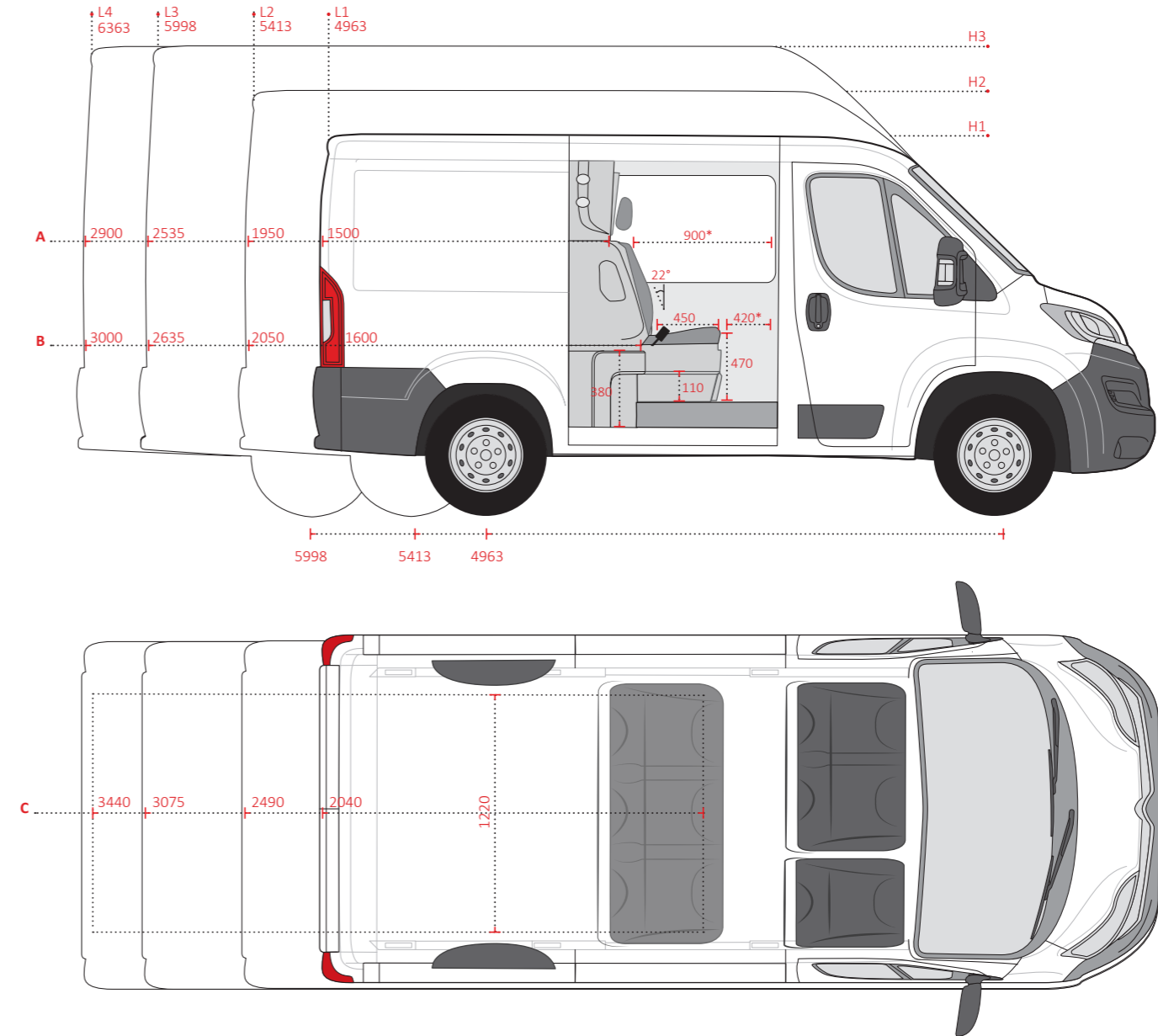
	L1			L2			L3			L4		
	BASE	COMFORT	LUXURY	BASE	COMFORT	LUXURY	BASE	COMFORT	LUXURY	BASE	COMFORT	LUXURY
SLIDING DOOR												
Sliding door right	o	o	o	o	o	o	o	o	o	o	o	o
Sliding door left	o	x	x	o	o	o	o	o	o	o	o	o
Sliding door right and left	Δ	x	x	Δ	Δ	Δ	Δ	Δ	Δ	Δ	Δ	Δ
WINDOWS												
factory fitted window right	o	o	o	o	o	o	o	o	o	o	o	o
Factory fitted window left	o	x	x	o	x	x	o	x	x	o	x	x
No factory fitted windows	Δ	Δ	Δ	Δ	Δ	Δ	Δ	Δ	Δ	Δ	Δ	Δ
OTHER												
Co-driver's seat	o	o	o	o	o	o	o	o	o	o	o	o
Co-driver's bench	o	o	o	o	o	o	o	o	o	o	o	o
ROOF HEIGHT												
H1	o	o	o	o	o	o	x	x	x	x	x	x
H2	x	x	x	o	o	o	o	o	o	o	o	o
H3	x	x	x	x	x	x	x	o	o	x	o	o

o Available
 Δ Available for an additional charge
 x Not available

FABRIC



Magnet



* Measured in relation to fixed co-driver's bench

Note:
 Crew cab conversion weight is 105 kg.

LOAD AREA	A	B	C
L1	1500	1600	2040
L2	1950	2050	2490
L3	2535	2635	3075
L4	2900	3000	3440

STANDARD EQUIPMENT & OPTIONS

Recommended prices - Citroën Jumper

	BASE				COMFORT				LUXE			
	L1	L2	L3	L4	L1	L2	L3	L4	L1	L2	L3	L4
BASE VEHICLE												
Gross sales price H1	3305	3305	-	-	4050	4050	-	-	4975	4975	-	-
Gross sales price H2	-	3800	3800	3800	-	4450	4450	4450	-	5500	5500	5500
Gross sales price H3	-	-	-	-	-	-	4840	4840	-	-	5885	5885
OBLIGATED EXTRA PRICES												
Seat Belt Reminder system	220	220	220	220	220	220	220	220	220	220	220	220
Base vehicle equipped with sliding door left and right	75	75	75	75	-	75	75	75	-	75	75	75
Disassembly original bulkhead, including assembly B-pillar covers	240	240	240	240	240	240	240	240	240	240	240	240
Adjustments to factory fitted wooden floor	50	50	50	50	50	50	50	50	50	50	50	50
Adjustments to factory fitted sidewall finishing	75	75	75	75	75	75	75	75	75	75	75	75
WINDOWS												
Window left or right (price per piece)	215	215	215	215	215	215	215	215	215	215	215	215
Windows left and right, privacy glass	440	440	440	440	440	440	440	440	440	440	440	440
ABS PARTITION WALL WITH INTEGRATED SAFETY WINDOW												
Bench cover with storage pocket, additional load space under the bulkhead	■	■	■	■	■	■	■	■	■	■	■	■
SEATING												
3-Seater contoured bench	■	■	■	■	■	■	■	■	-	-	-	-
3-Seater contoured bench with 2 armrests in between	-	-	-	-	-	-	-	-	■	■	■	■
4-Seater contoured bench	210	210	210	210	210	210	210	210	-	-	-	-
Adjustable head restraints on all seating positions, as front seats	■	■	■	■	■	■	■	■	■	■	■	■
3-Point inertia-reel safety belt on all seating positions	■	■	■	■	■	■	■	■	■	■	■	■
FLOOR												
Floor heightening	■	■	■	■	■	■	■	■	■	■	■	■
Luxury step-in cover plastic, black	■	■	■	■	■	■	■	■	■	■	■	■
Floor before 2nd seat row, covered with fixed rubber mat	■	■	■	■	■	■	■	■	-	-	-	-
Floor before 2nd seat row, covered with fixed carpet mat	-	-	-	-	-	-	-	-	■	■	■	■

Gross prices exclusive VAT

	BASE				COMFORT				LUXURY			
	L1	L2	L3	L4	L1	L2	L3	L4	L1	L2	L3	L4
SIDE-WALL FINISHING												
Off-side finished with factory fitted lower cover	■	■	■	■	-	-	-	-	-	-	-	-
Sliding door(s) finished with factory fitted lower cover	■	■	■	■	■	■	■	■	■	■	■	■
Off-side finished with lower and upper cover in tooled ABS-plastic, including cupholder	-	-	-	-	■	■	■	■	-	-	-	-
Off-side finished with lower and upper cover in tooled ABS-plastic, including cupholder and storage pocket	-	-	-	-	-	-	-	-	■	■	■	■
Storage pockets integrated in lower off-side cover	-	-	-	-	-	-	-	-	■	■	■	■
Sliding door(s) finished with lower and upper cover in tooled ABS-plastic	-	-	-	-	-	-	-	-	-	■	■	■
Grip handle(s) B-pillar, sliding door entrance	-	-	-	-	-	-	-	-	-	■	■	■
HEADLINING												
Tooled ABS-plastic headlining	-	-	-	-	■	■	■	■	■	■	■	■
H2: Partition wall extension part including front headlining	-	■	■	■	-	-	-	-	-	-	-	-
H2: Partition wall extension part including ABS-plastic finishing windows and front headlining	-	-	-	-	-	■	■	■	-	■	■	■
H3: In addition to H2 ceiling with plywood top	-	-	-	-	-	-	■	■	-	-	■	■
APPROVAL												
Contribution homologation costs	150	150	150	150	150	150	150	150	150	150	150	150

- Standard
- Not available

Gross prices exclusive VAT

Explanation features and options:

Prices only apply in combination with a double cabin kit. Pricing ex-works, a surcharge for single packaging and transport applies.

- * Ceramic windows can only be ordered in combination with a Crew Cab.

 info@snoeks.com

 www.snoeks.com

 +31 (0) 252 629 529

 Kunaweg 3, 2153 NC, Nieuw-Vennep, The Netherlands

© All rights reserved. Snoeks Automotive reserves the right to change or improve its products and to make changes in the content of this brochure without obligation to notify any person or organization of such changes or improvements.
The images shown may differ from the standard trimlevel.